

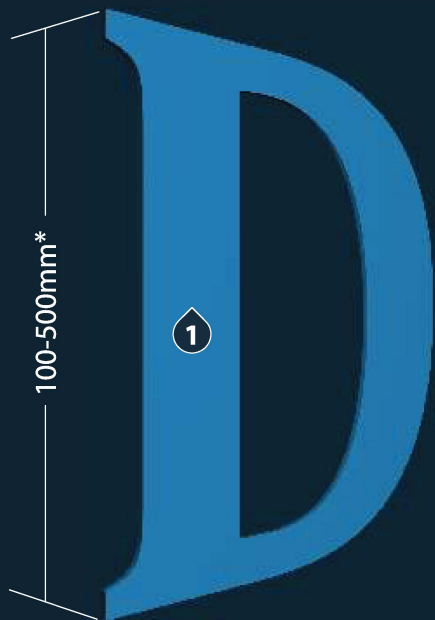


PRINT 24K

SIGNAGE
FOR
BUSINESS

www.print24k.net
info@print24k.net





Profile 00

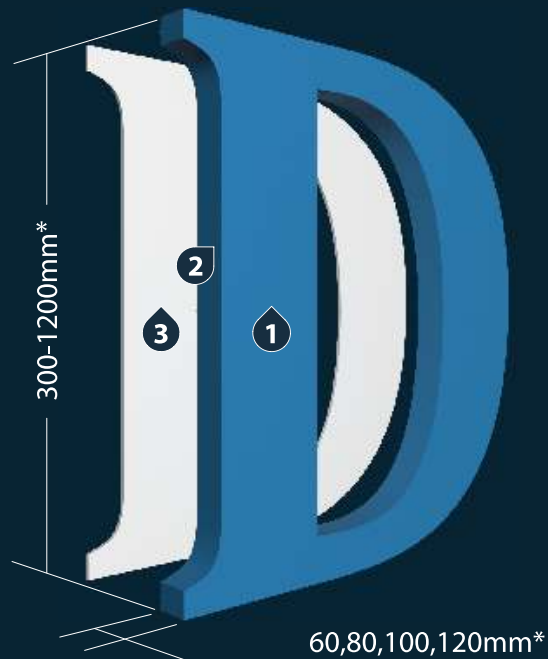
MATERIAL:

- Alu 3-5mm
- PMMA 3-30mm

NO ILLUMINATION

*recommended size





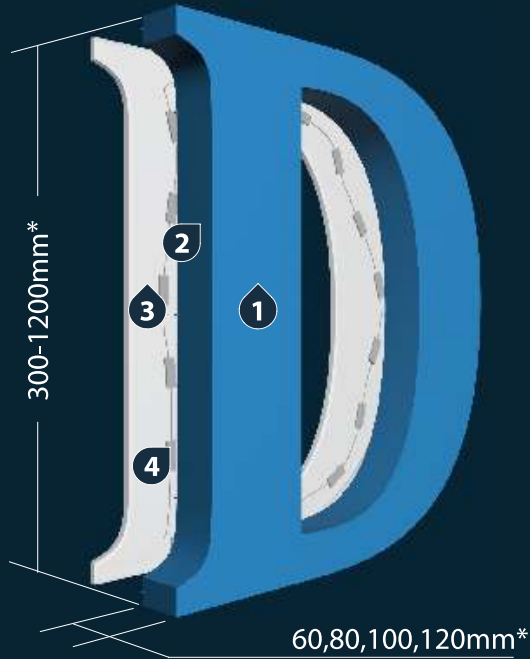
Profile 01

1. Alu 2mm
2. Alu 1; 1,2; 1,5, 2mm
3. PVC 10mm

NO ILLUMINATION

*recomended size

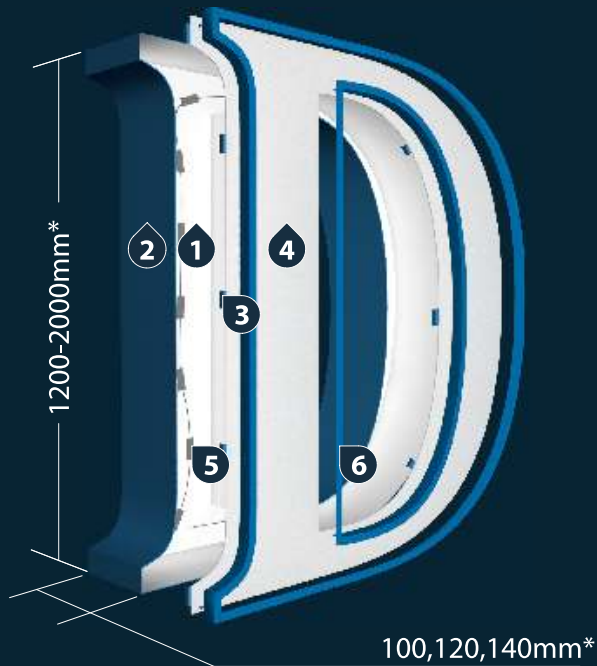




Profile 3

1. Alu 2mm
2. Alu 1; 1,2 mm
3. WN 770(PMMA)
WHITE 8mm
4. LED





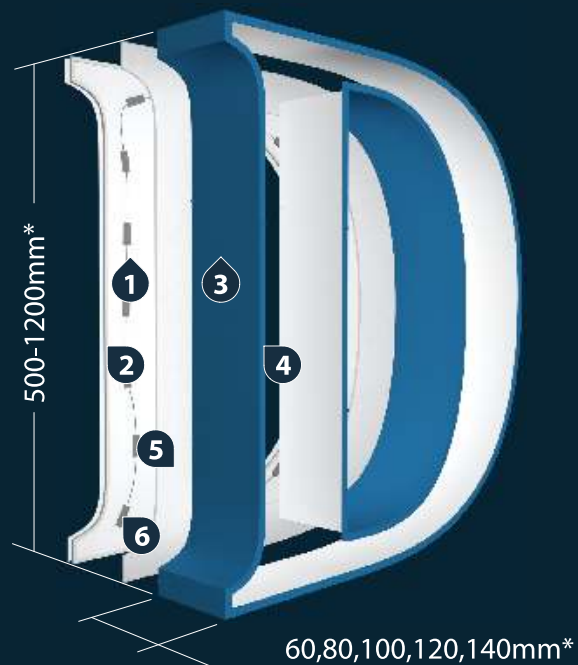
Profile 4

1. Alu 2mm
2. Alu 1; 1,2 mm
3. Alu "L" profile pieces
4. WN 070(PMMA)
WHITE 5mm
5. LED
6. Alu "L" profile corner



*recommended size





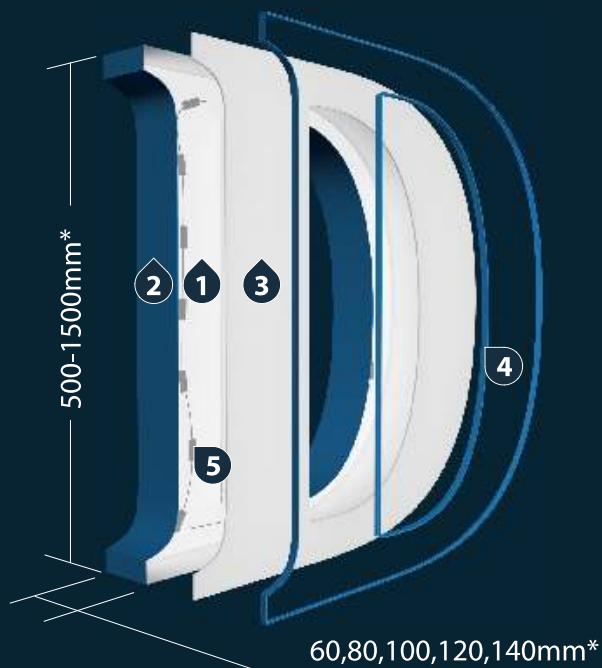
Profile 4d

1. Alu 2mm
2. PVC 10x20mm kant
3. Alu 1; 1,2mm
4. Alu 2mm
5. WN 070(PMMA) WHITE 3; 5mm
6. LED



*recomended size



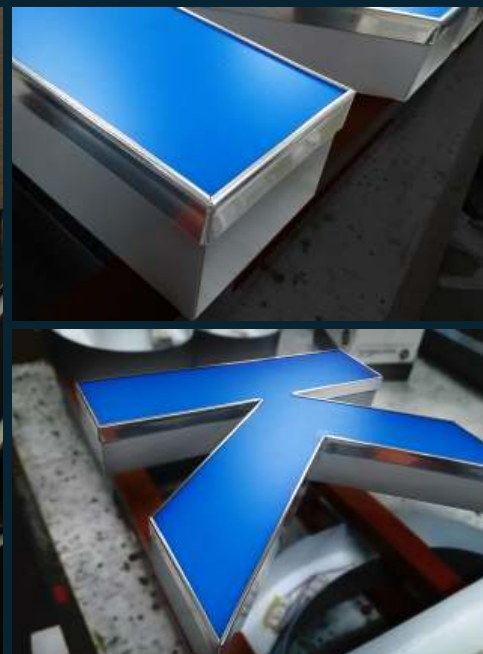


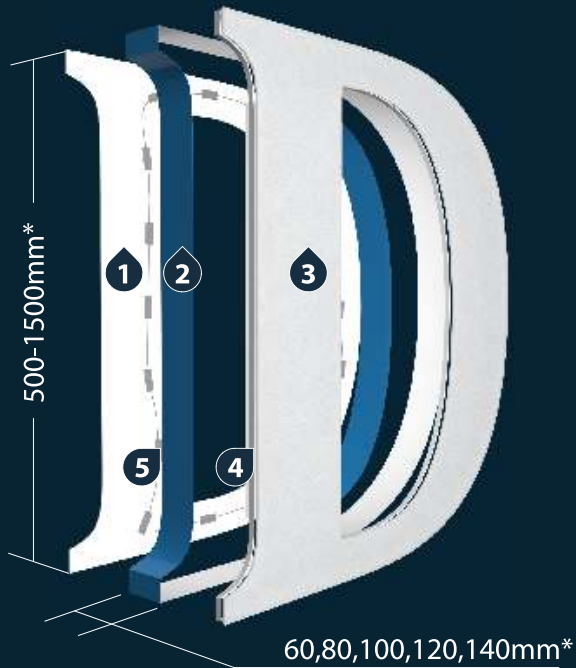
Profile 5

1. 2mm Alu
2. Alu 1; 1,2 mm
3. WN 070(PMMA)
WHITE 3mm
4. "Elkamet" kant
5. LED



*recomended size





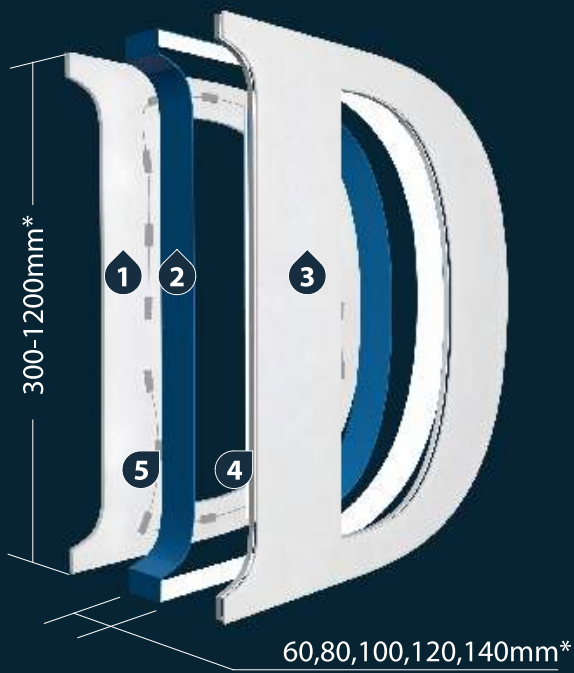
Profile 5s

1. Alu 2mm
2. Alu 1; 1,2; 1,5mm
3. WN 070(PMMA)
WHITE 3; 5mm
4. PVC 3; 5mm kant
5. LED



*recomended size





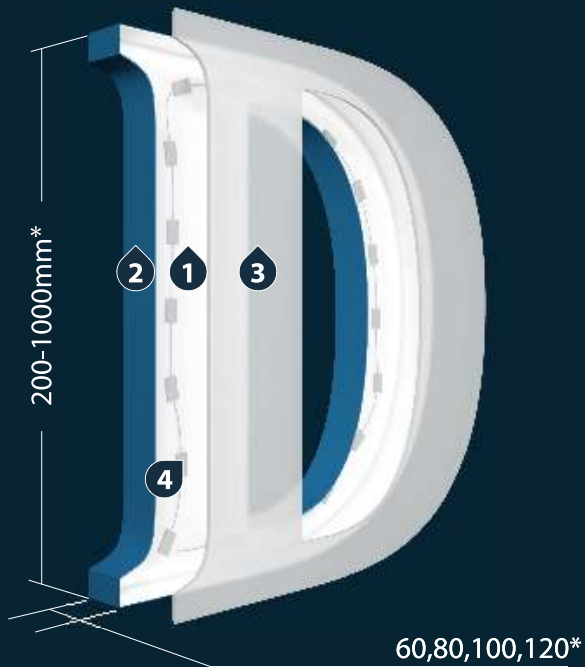
Profile 5s+3

- 1. WN 770(PMMA)
WHITE 8mm
- 2. Alu 1; 1,2mm
- 3. WN 070(PMMA)
WHITE 3; 5mm
- 4. PVC 3mm kant
- 5. LED



*recomended size





Profile 6

1. Alu 2mm
2. Alu 1mm
3. WN 770(PMMA)
WHITE 8mm
4. LED

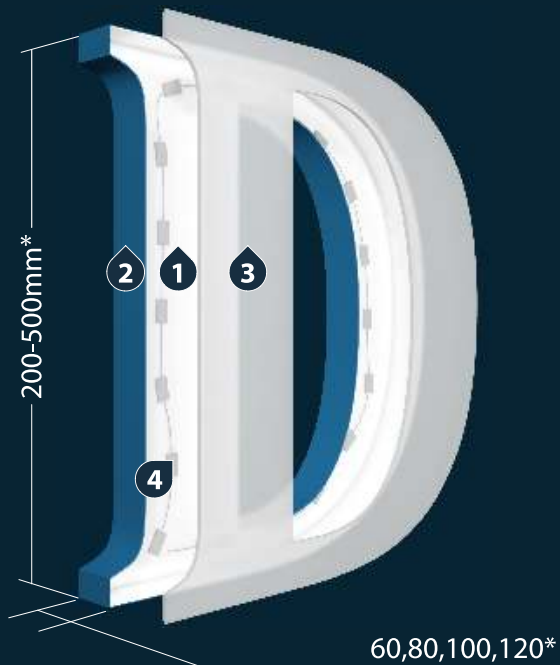


*recomended size





PRINT 24K



Profile 6d

1. PVC 10mm
2. Alu 0,7mm
3. WN 770(PMMA)
WHITE 3mm
4. LED



Letters possible volume (Alu tape widths)

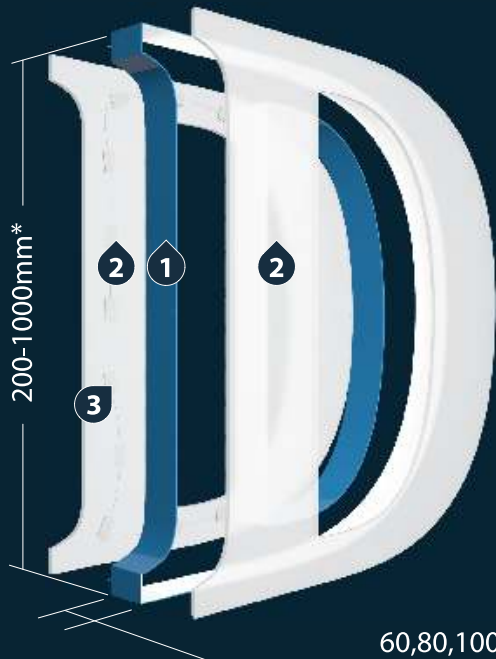
- | | |
|-----------------------------|--------------------------|
| 1. WHITE- 60,120mm | 6. RED-60, 100mm |
| 2. BLACK- 60,120mm | 7. GREEN-100, 107mm |
| 3. MIRROR SILVER- 60mm | 8. DARK BLUE-107mm |
| 4. BRUSHED SILVER- 60,100mm | 9. BRIGHT BLUE-60, 100mm |
| 5. BRUSHED GOLD- 60, 100mm | |

*recomended size





PRINT 24

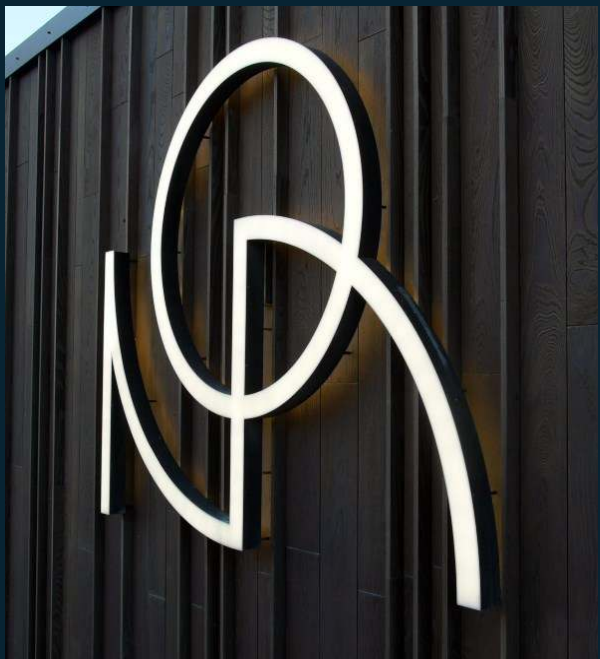


Profile 6+3

1. Alu 1mm
2. WN 770(PMMA)
WHITE 8mm;
3. WN 070(PMMA)
WHITE 3; 5mm
4. LED

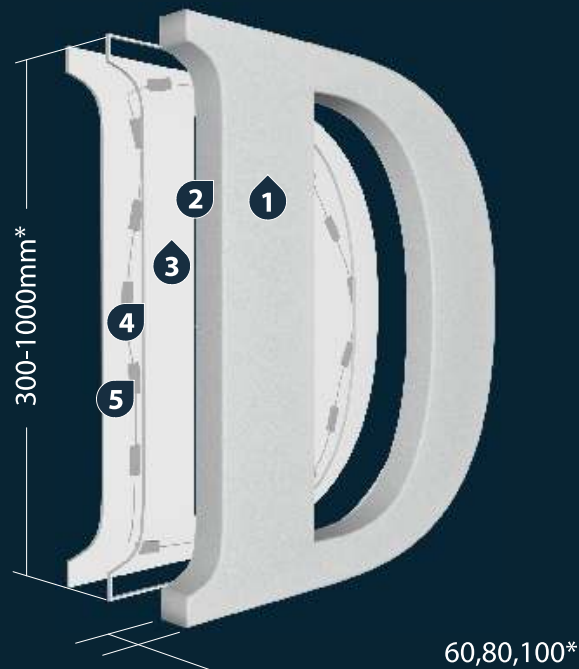


60,80,100,120*





PRINT 24



Profile 8

1. WN 070(PMMA)
WHITE 3; 4; 5mm
2. WN 070(PMMA)
WHITE 2mm
3. PVC 10mm
4. PVC 3; 5mm kant
5. LED



*recomended size

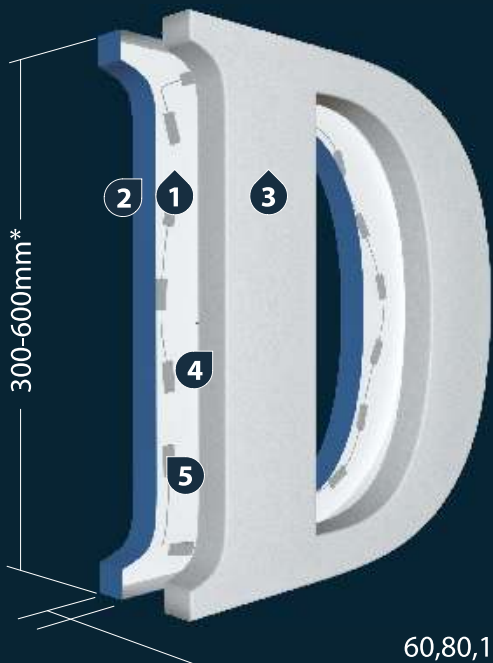




PRINT 24

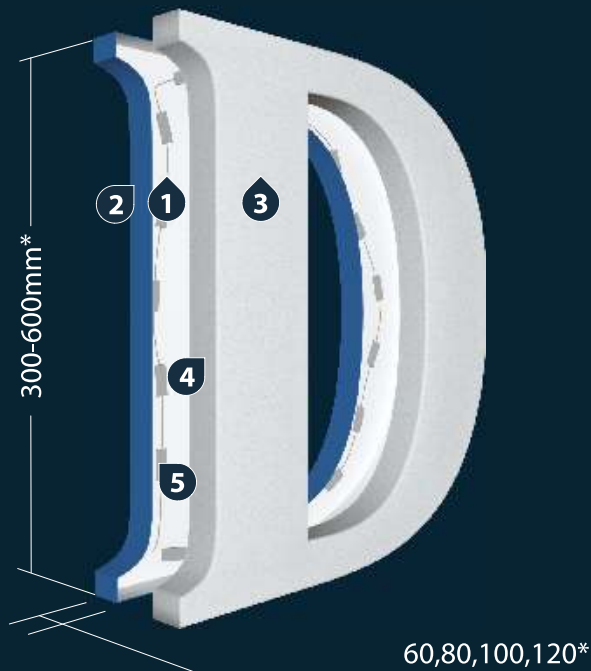
Profile 8d

1. Alu 2mm
2. Alu 1mm
3. WN 070(PMMA)
CLEAR 3mm
4. WN 070(PMMA)
WHITE 2mm
5. LED



*recomended size





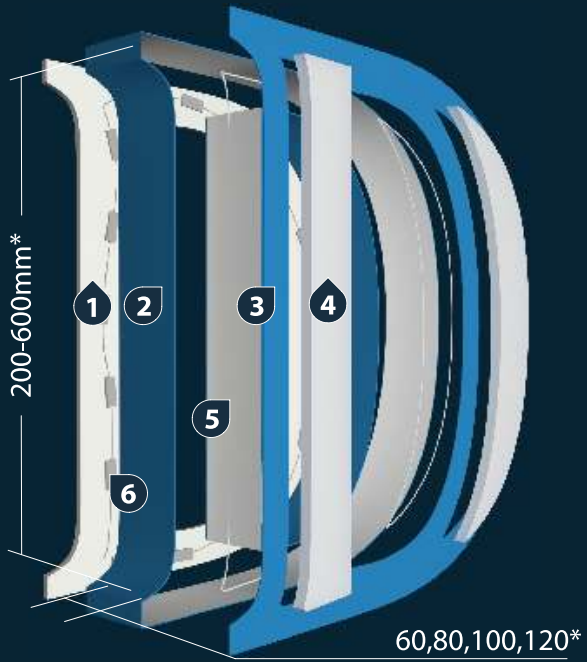
Profile 9d

1. Alu 2mm
2. Alu 1mm
3. WN 070(PMMA)
CLEAR 3mm
4. WN 070(PMMA)
WHITE 2mm
5. LED



*recomended size





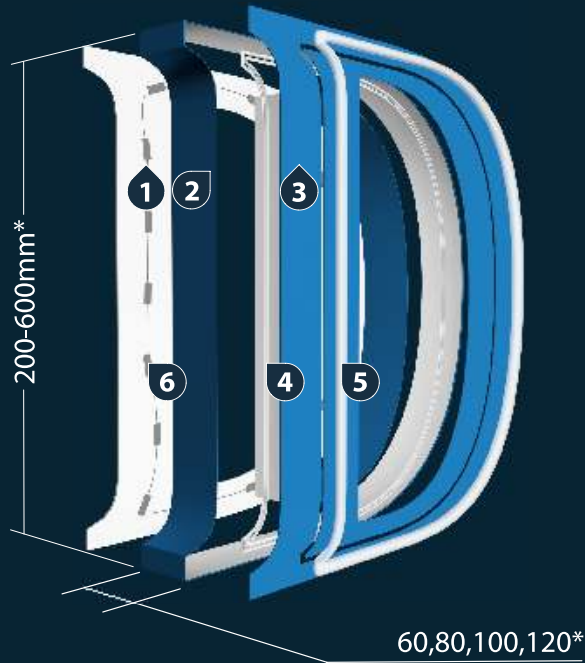
Profile 10

1. PVC 10mm
2. Alu 1mm
3. Alu 2mm
4. WN 770(PMMA)
WHITE 8mm
5. WN 070(PMMA)
CLEAR 3; 4mm
6. LED



*recomended size





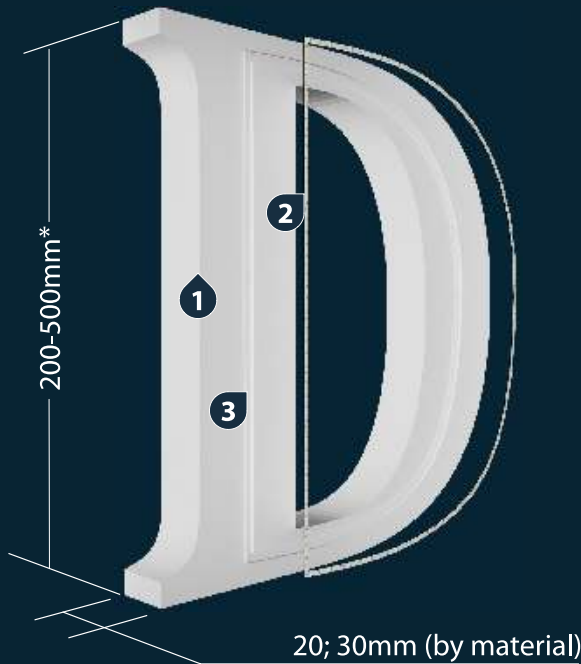
Profile H10

1. PVC 10mm
2. Alu 1 mm
3. Alu 2mm
4. WN 070(PMMA)
CLEAR 3; 4mm
5. (PMMA) WHITE
8-20mm
6. LED



*recomended size





Profile 30(20)

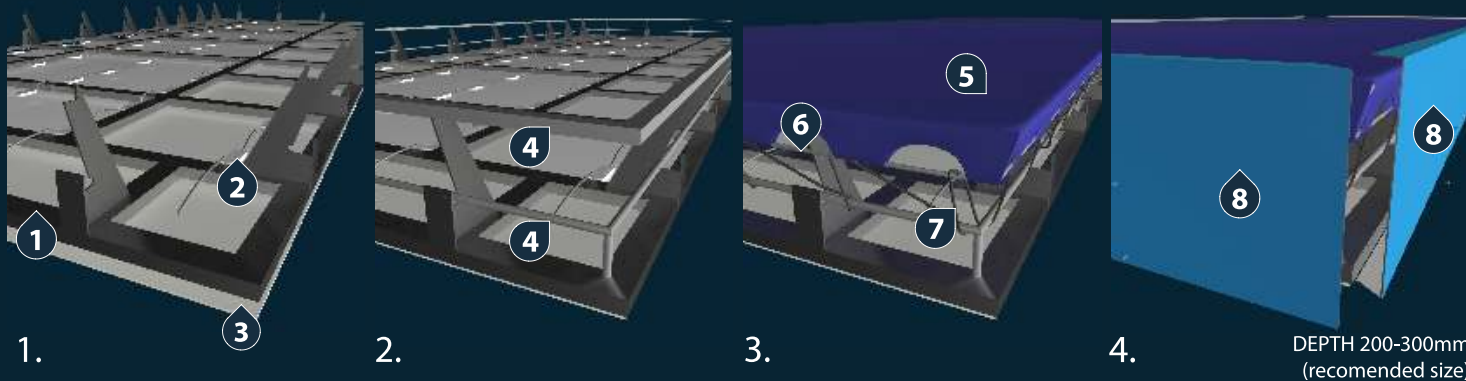
1. Acrylic WHITE 30; 20 mm
2. LED tape
3. glue fill

P30 - All sides lightning
 P30F - Front lightning
 P30FB - Front, back lightning
 P30FS - Front, side lightning
 P30B - back lightning
 P-30BS - Back,side lightning



*recomended size





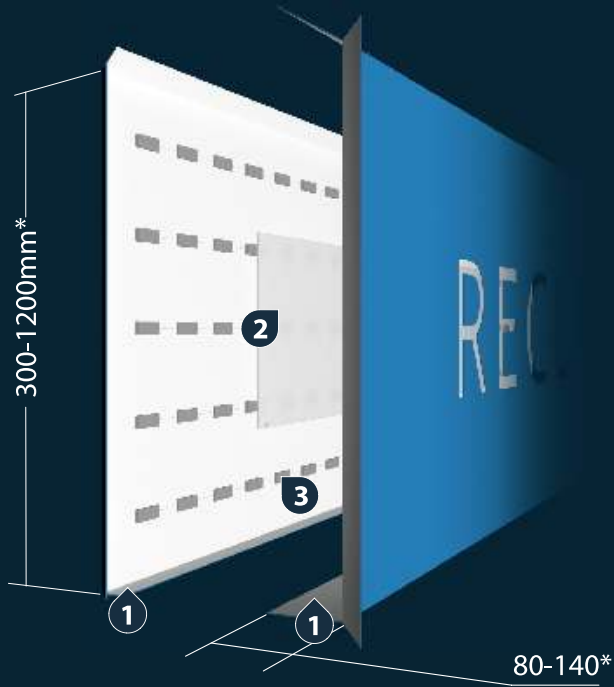
Profile FFS

- | | |
|---------------------------------|----------------------------|
| 1. frame | 5. flex face |
| 2. LED | 6. flex faces inside frame |
| 3. bottom "Dibond" 3mm | 7. D10mm rod |
| 4. flex faces stretching frames | 8. sides 2mm Alu |

NIGHT VIEW

LOGO





Profile L1

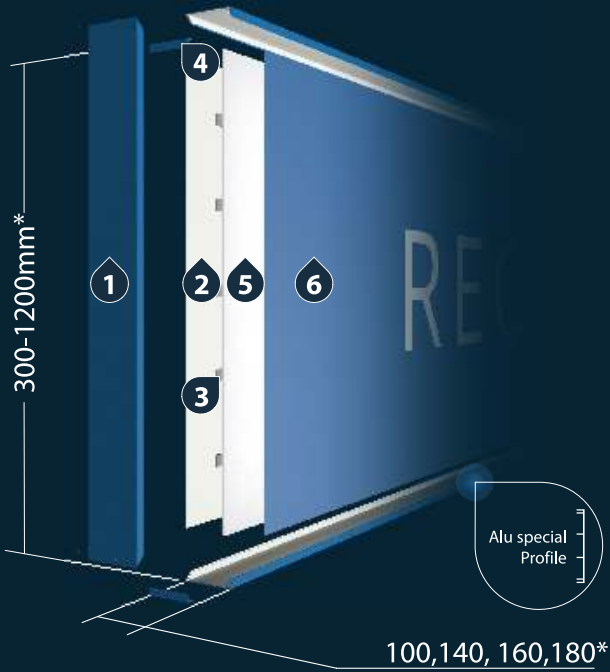
- | | |
|------------------------------|--------|
| 1. folded Alu 2mm | 3. LED |
| 2. WN 070(PMMA)
WHITE 3mm | |

NIGHT VIEW

LOGO

*recomended size





Profile L4

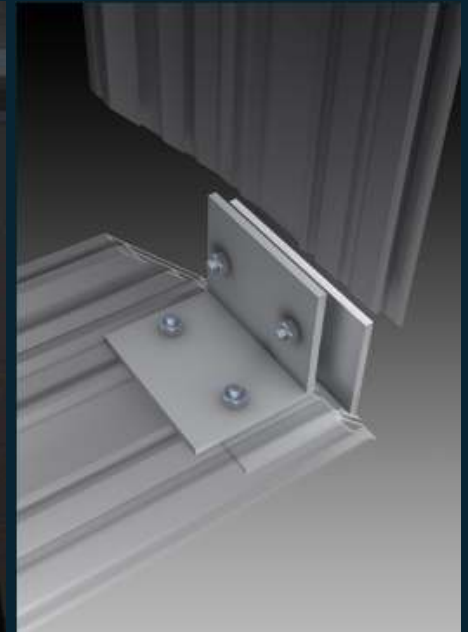
1. Alu special profile
2. Alu 2mm; "Dibond" 3mm
3. LED
4. Alu "L" profile
5. PMMA 3; 5mm film
6. film

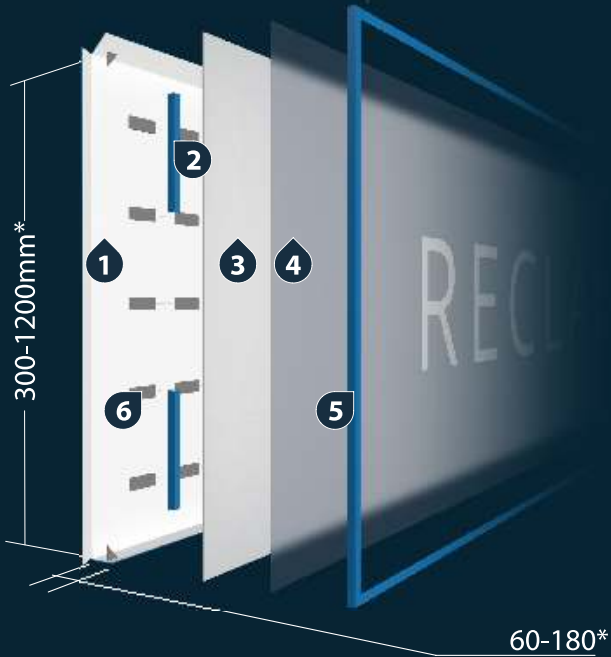
- The box is available for service because one side's border is removable.
- Can only be square shape.

NIGHT VIEW

LOGO

*recomended size





Profile L4s

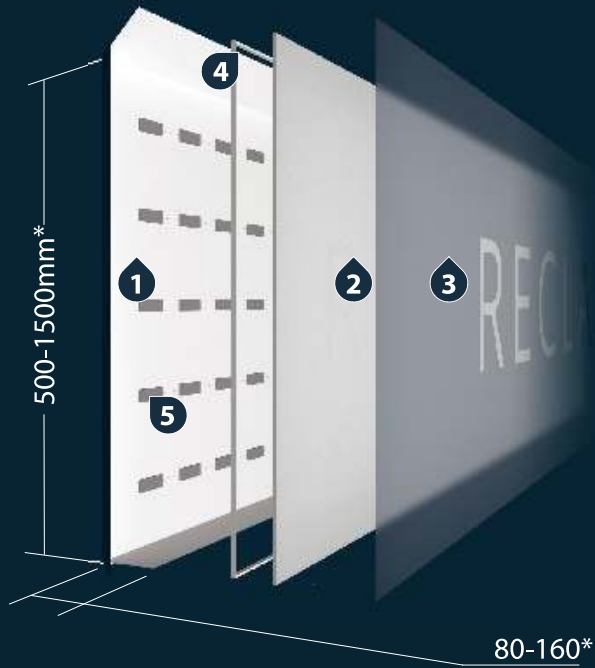
- | | |
|---------------------------------|--------------------|
| 1. folded Alu 2mm | 4. film |
| 2. Alu "L" profile | 5. Alu "L" profile |
| 3. WN 070(PMMA)
3; 5mm WHITE | 6. LED |

NIGHT VIEW

LOGO

*recomended size





Profile L5s

- | | |
|---------------------------------|-------------------|
| 1. folded Alu 2mm | 4. PVC 3;5mm kant |
| 2. WN 070(PMMA)
3; 5mm WHITE | 5. LED |
| 3. film | |

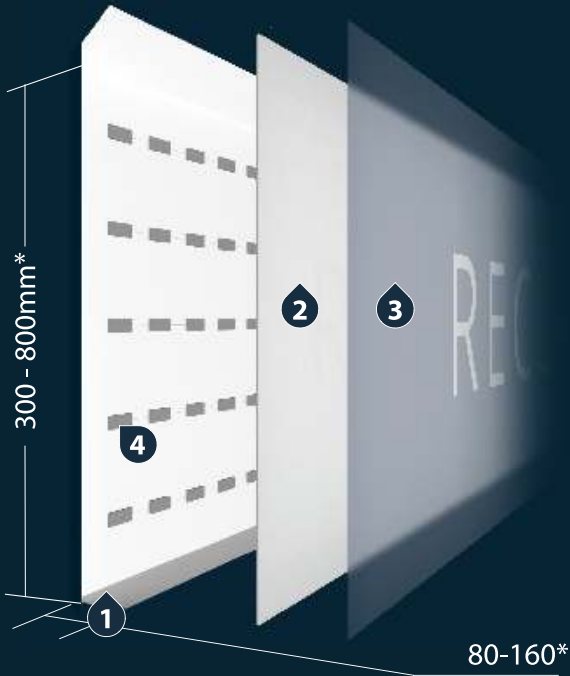
NIGHT VIEW

LOGO

The image shows a night view of the Profile L5s sign. The sign is illuminated from within, causing the translucent panel to glow. The word 'LOGO' is visible in white on the translucent panel.

*recomended size





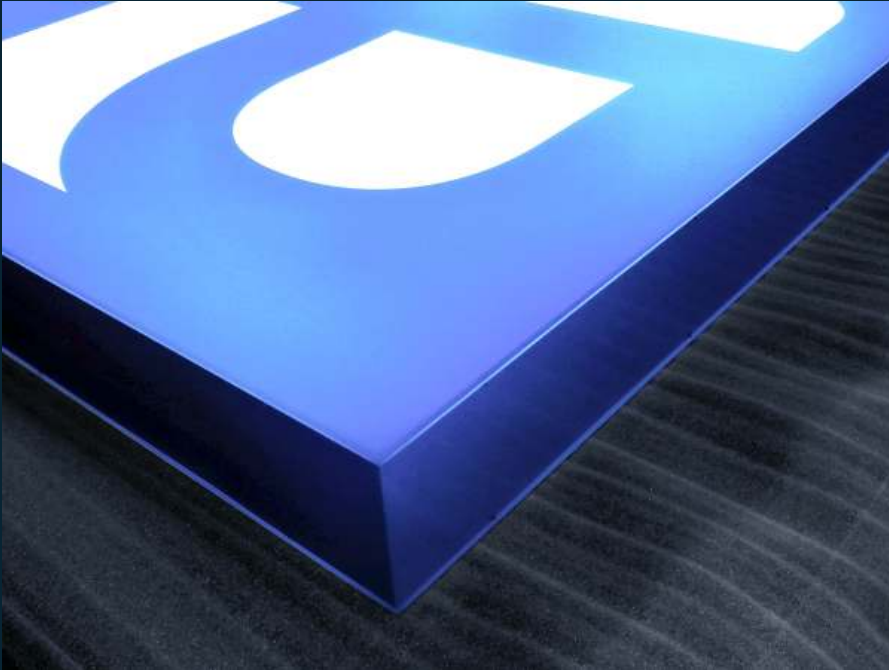
Profile L6

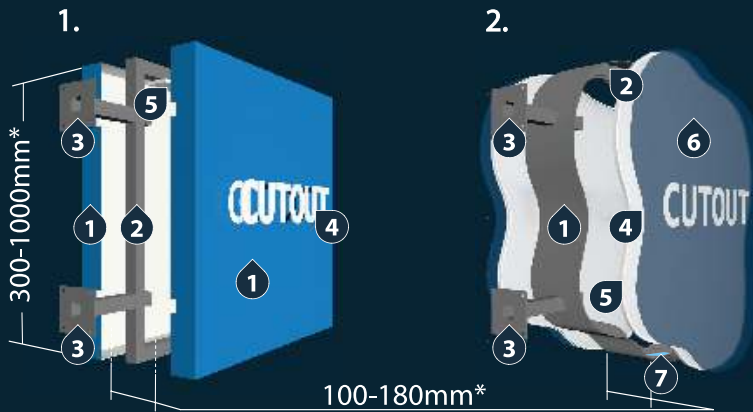
- | | | | |
|----|----------------|----|------|
| 1. | folded Alu 2mm | 3. | film |
| 2. | WN 770(PMMA) | 4. | LED |
| | 8mm WHITE | | |

NIGHT VIEW

LOGO

*recomended size





Profile DS(double sided)

1

1. folded Alu 2mm
2. Alu frame
3. Mounting base (Alu 8mm plate)
4. WN 770 (PMMA) 8mm WHITE
5. LED

2

1. Alu 2mm stripe
2. Alu 3mm cutted frames
3. Mounting base (Alu 8mm plate)
4. WN 070(PMMA) WHITE 3; 5mm
5. PVC kant 3; 5mm
6. film
7. LED

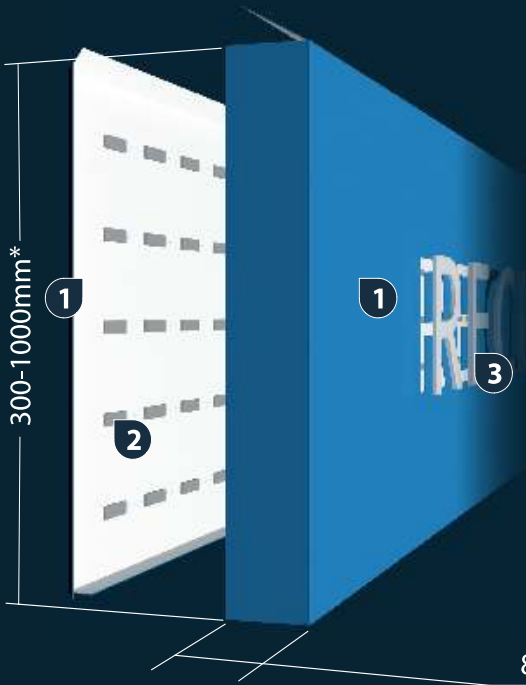
NIGHT VIEW

LOGO

LOGO

*recomended size





Profile L10

- | | |
|-------------------|-----------------|
| 1. folded Alu 2mm | 3. WN 770(PMMA) |
| 2. LED | 8mm WHITE |

NIGHT VIEW

LOGO

80-140* *recomended size

